

# JAMES



## Cap LED Shoe Box Light

[www.jamesindustry.com](http://www.jamesindustry.com)



## Suitable Locations

- Garden Park
- Street and Roadway
- Security Area
- Park
- Gas Station Road
- Sports Court Lighting
- Outdoor Packing Lot Areal



## Advantage

Lumen Output more than 140 lumens per watt

CRI more than 70

Dimmable driver

Wide input voltage AC100-277V

Reduces energy consumption up to 60%.


5 years warranty

Surface mounting installation

Suitable for wet location(IP65)

UL, cUL, and DLC

Special outdoor luminaire design



## Product Description

### Excellent Design

Our Compact Model LED Parking Lot Light uses Fujian Lighting Optoelectric chip modules that produce up to 140 Lumens per watt - Save even more by using a lower watt unit and still getting the light you need. Focus on your lumen needs, not on watts. This LED area light only uses Premium grade LED components. High strength housing make this an industrial grade LED Parking lot or Shoe Box light.

### Brighter Light

100 Watt LED puts out 14,000 Lumens and can replace a 500 watt Metal halide MH or HPS/HID light. 5000K light color ensures a bright clear light. Light can be used as Parking Lot Lights, Sports Court Lights, Street Lights, walkways, roadways or any other use.

### IES Classification

The Type III distribution is ideal for roadway, general parking and other area lighting applications where a larger pool of lighting is required. It has greater street side (transverse) throw, allowing the light to project outward and fill the area.

### Easy Mounting

Slip mount can apply in most of pole, clip screw can ensure its security. The polediameter can be 2" to 2.5".

Product Number	Power Consumption (W)	Dimensions (mm)	Color Temperature (K)	Luminous Flux(lm)	System Efficacy (Lm/W)
SB-60W CaXYT3	60	410*120*45	4500K-5700K	8,400	140
SB-120W CaXYT3	120	410*120*45	4500K-5700K	16,800	140
SB-180W CaXYT3	180	440*150*45	4500K-5700K	25,200	140

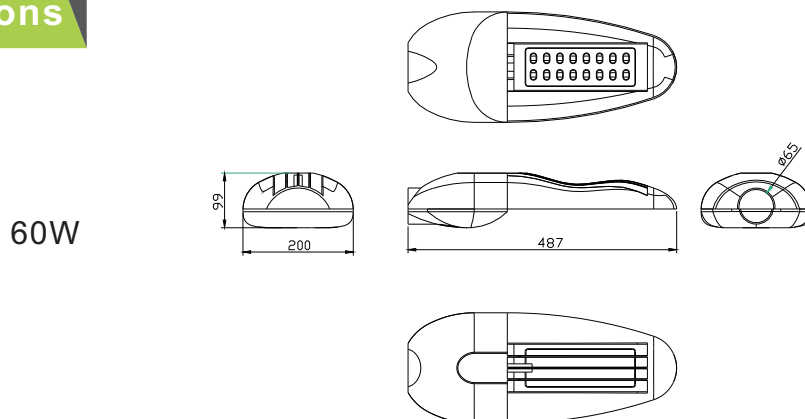
### Ordering Guide

SB	60/120/180W	CaXYZ
Shoe Box light	Wattage	Ca=Cap shape shoe box light,X=N,D(Non-dimming or Dimable);Y=27,30...65(CCT);Z=T3(Type III beam angle)

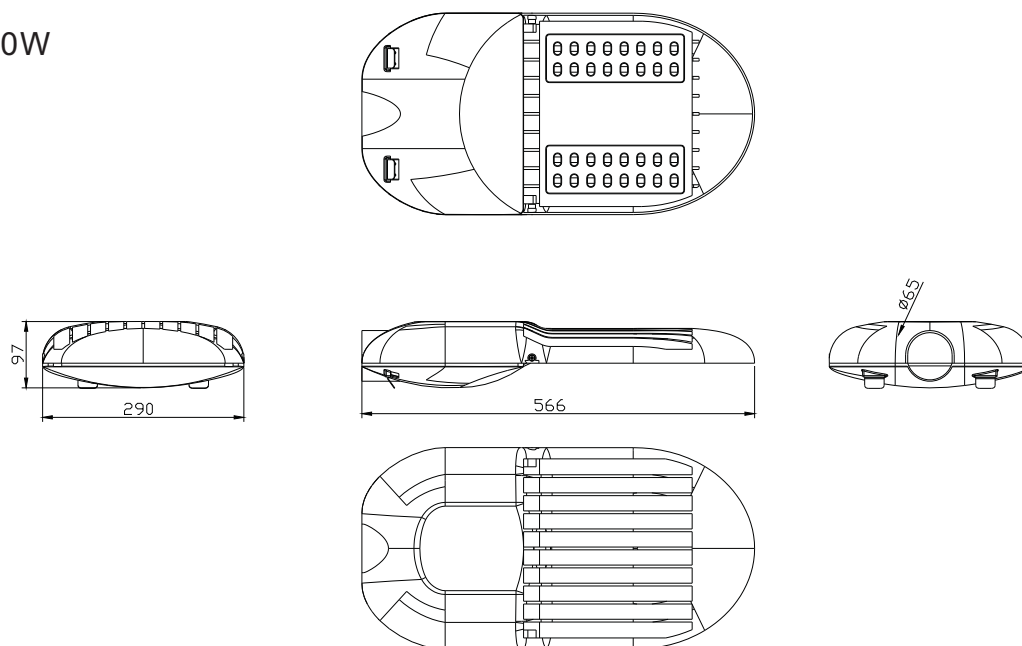
### Photometric Data

Rated Power	60/120/180W
Input Voltage	100-277VAC
Frequency	50 / 60 Hz
Power Factor	>0.9
Beam Angle	Type III
CRI	>70
Dimming Function	0 - 10 V
Operating Temperature	-30°C to 45°C

### Dimensions



120/180W



## Package Info.

Items	Size	Net weight	Gross weight
SB-60W CaXYT3	525*245*230mm	2.26Kg	5.82Kg
SB-120W CaXYT3	625*335*240mm	4.1Kg	10Kg
SB-180W CaXYT3	625*335*240mm	4.26Kg	10.32Kg